

Transient Voltage Surge Protector

CS Series



Function

- CS Series Power lines Transient Voltage Surge Arrester has been specially designed for the protection of AC under 450Hz, 120-690V AC-DC loop and suitable for TT, IT, IT-S, TN-C TN-C-S of configuration network systems.
- They are designed according to standards NFC61-740, IEC 61643-1, BS 6651, VDE 0675-6. The Maximum overcurrent 130KA can be released caused by lightning impact. Usually device is installed in power system of low voltage main panel or main branch bank of import power in the building.

Characteristics

- Plug-in module : Component can be replaced without power off.
- Maximum protection current : 130KA (8/20 μ s)
- Fast response time : response time < 25ns
- Status visual display : Operation status is shown by display with color Green(normal), red(breakdown)

Installation

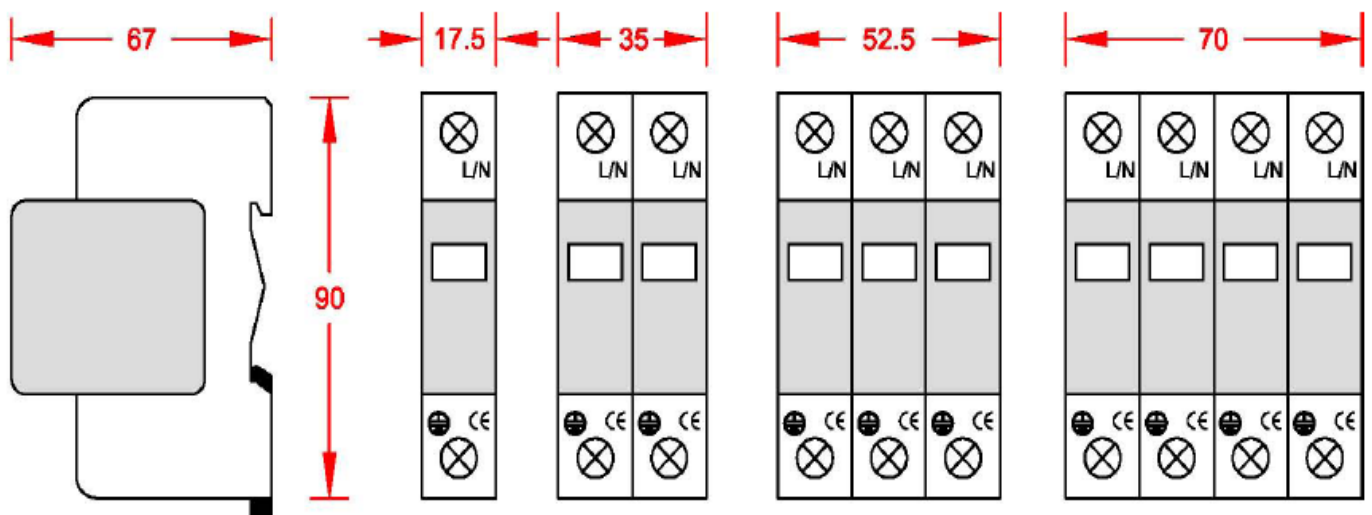
- Transient Voltage Surge arrester of protection degree B + C of power lines for lightning impact or transient overcurrent which can lead instantly the huge current to earth and link to be equipotential .
- Device can be installed in LPZOA or between the area of LPZOB and LPZ1. Usually it is installed in low voltage main panel of power system or low voltage main branch bank of import power of the construction.

Technical Features

| Model | CS1 | CS2 | CS3 | CS4 |
|---|----------------------------------|---------|---------|---------|
| Spec. | CS1 x 1 | CS1 x 2 | CS1 x 3 | CS1 x 4 |
| Degree of protection | B+C | | | |
| Rated operation Voltage Un | 120 / 230 / 400 / 480 V~ | | | |
| Max. Cont. operation Voltage Uc | 150 / 275 / 480 / 580 V~ | | | |
| Nominal discharge current In (8/20µs) | 20 / 30 / 40 / 65 / 90 KA | | | |
| Maximum discharge current I_{max} (8/20µs) | 40 / 65 / 80 / 100 / 130 KA | | | |
| Protection level Up(1.2/50) | 1.8 / 2.0 / 2.5 / 3.0 / 3.5 kV | | | |
| Response time t | < 25 ns | | | |
| Maximum backup fuse (gL) | 63 / 80 / 100 / 125 / 160 A | | | |
| Status visual display | Green (normal) \ Red (breakdown) | | | |
| Damping capability | < 58 dB | | | |
| Leakage loss | < 1mA | | | |
| Connection wire | 5.5 / 22 mm ² | | | |
| Installation | DIN rail | | | |
| Housing protection degree IEC529 | IP20 | | | |
| Operation temperature | -40 °C ~ +80 °C | | | |

*When use in Voltage DC , it will be $\sqrt{2}$ of rated operation Voltage (**Un**)

Dimensions

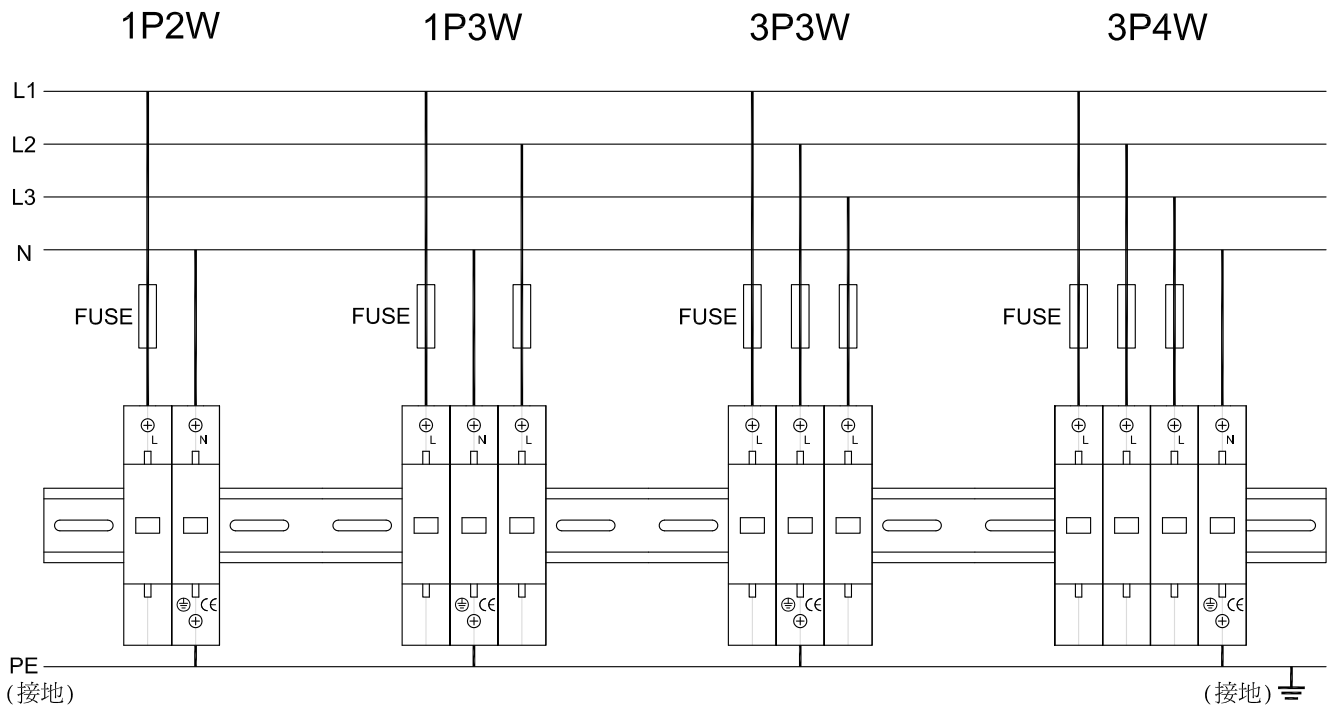


CIRPROTEC,S.L.

C/.Lepanto 49 – Terrassa – BARCELONA – Spain
 Tel. (+34)93 733 16 84 – Fax. (+34)93 733 27 64



CPT CS1突波吸收器安裝說明



1. 接地電阻值請儘量低於10歐姆(Ω)以下
2. 接地端距接地銅排儘可能不要超過10米以上
3. 突波吸收器一次側加裝保險絲以利保養及安全
4. HRC-FUSE：
CS1-40/120(230, 400)請用40A
CS1-65/120(230, 400)請用63A
CS1-80/120(230, 400)請用80A
CS1-100/120(230, 400)請用100A
CS1-130/120(230, 400)請用160A
5. 輸入端建議使用5.5或8.0mm細心絞線，接地端使用8.0mm細心絞線
6. 當電力系統(配電盤)在做耐壓測試、絕緣測試、送電時，必須先將突波吸收器隔離，以避免擊穿突波吸收器而壞損。
7. 突波吸收器屬耗材類，需定時檢測。當耗損將盡(有落牌指示)，請更換新品，以達完善保護。