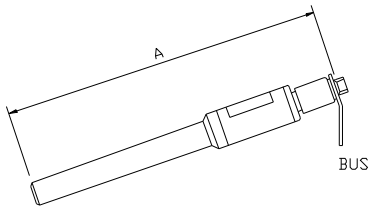
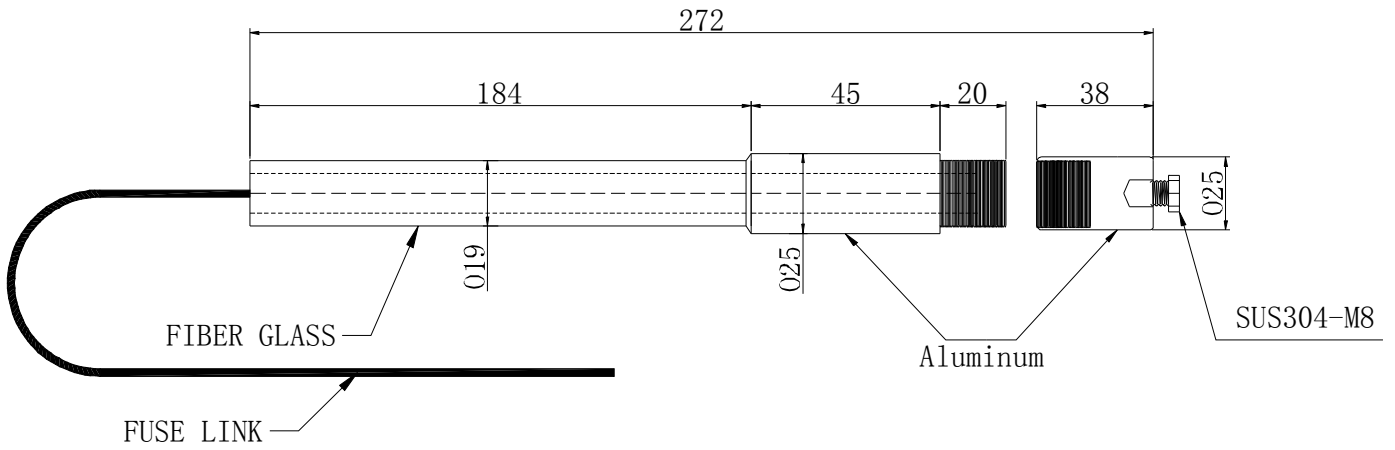
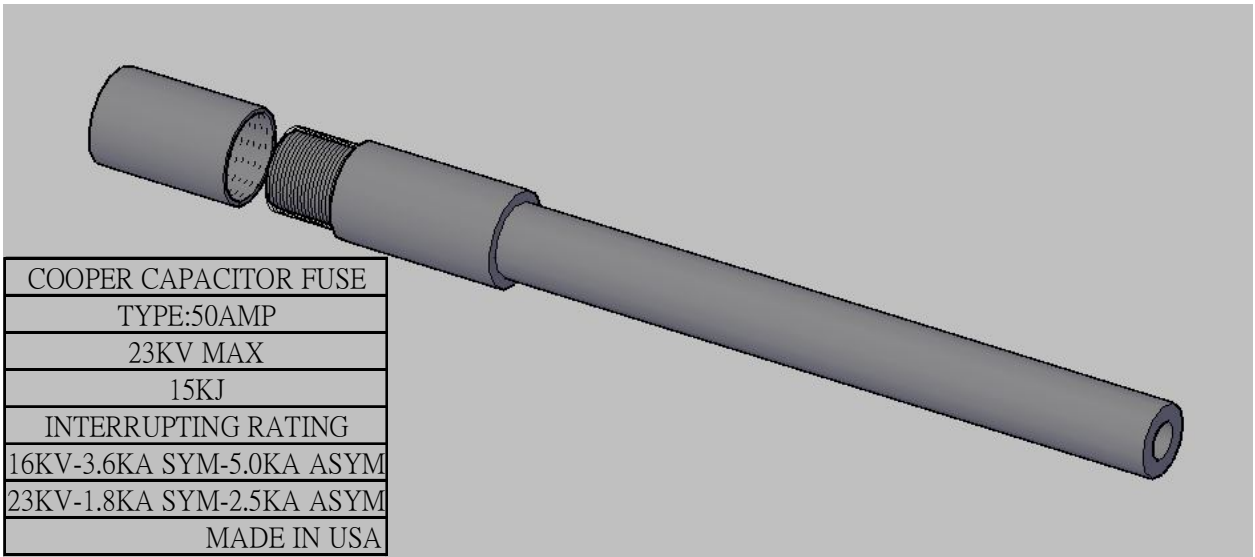
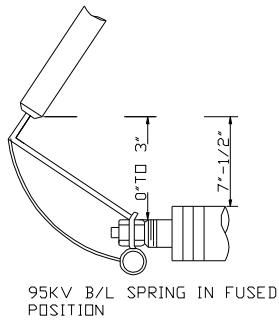


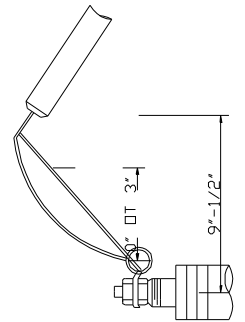
規格尺寸及安裝說明



95KV B/L SPRING IN BLOWN FUSE (INDICATING) POSITION



150-KV B/L SPRING IN BLOWN FUSE (INDICATING) POSITION



150-KV B/L SPRING IN FUSED POSITION

FUSE MOUNTING CONFIGURATION FOR VERTICAL CAPACITOR BANKS

