

NEW VALVE

LIGHTNING ARRESTERS

Distribution Type Arc Extinction
with Permanent Magnet

NVD-Type



9KV NVD-9



21KV NVD-21



NIHON HIRAIKI KOGYO CO., LTD.

KYOTO JAPAN

NVD-Type Lightning Arrester

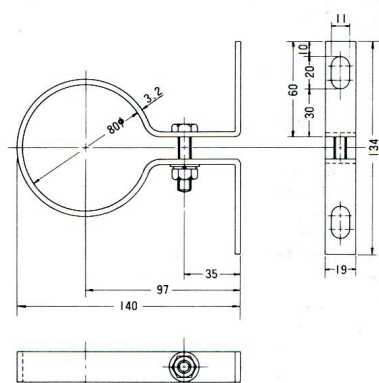
ADVANTAGES

1. NVD-type lightning arrester has ability which is enough to be satisfied with ANSI, BS, and IEC standard respectively. and this lightning arrester has characteristics of miniature and lightweight.
2. Since especially insulated spacer is made of advantageous alumina porcelain, it is not broken out by insulating, heating withstand characteristic and surge, vibration etc.
3. Since the arc is extinguished by permanent magnet, exhaustion of electrode is little and the arrester has ability of excellent and stable cutoff.
4. The synthetic rubber is adopted as a material of sealing packing, the most important parts for perfectly sealed structure of an arrester and as all of arrester is strictly checked its airtightness in vacuum process, remarkable long life is guaranteed as an arrester is completely free from penetration of moisture and so on.

Performance Characteristics of NVD-TYPE Lightning arresters IEC Publication 99-1

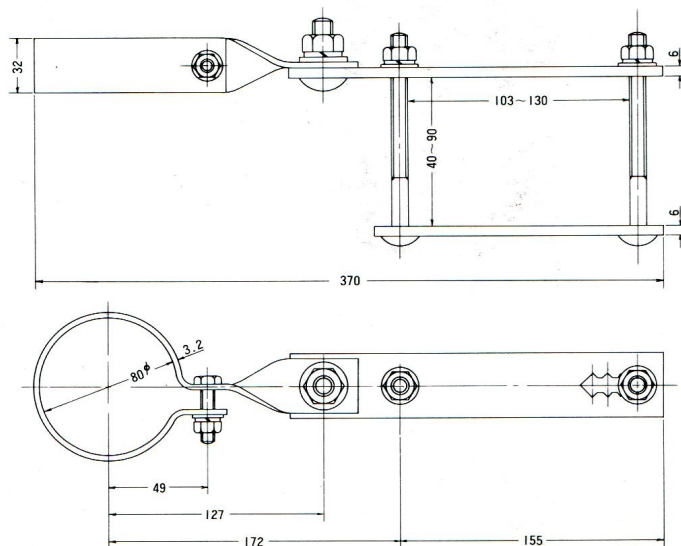
| Rated voltage (kv rms) | Insulation withstand test voltage | | | Power frequency sparkover voltage (kv rms) | Maximum Impulse sparkover test voltages | | | Maximum residual voltages $8 \times 20 \mu s$ current wave (kv) peak at 5 KA | Dimensions (mm) | Weights (kg) |
|------------------------|--|-----------------|------------------|--|---|--------------|----------------|--|-----------------|--------------|
| | Impulse $1 \times 50 \mu s$ full wave kv crest (BIL) | 1 min, Dry test | 10 sec, Wet test | | Front steepness F.O.W (kv/ μs) | Std. kv peak | F.O.W. kv peak | | | |
| | | | | | | | | | | |
| 3 | 45 | 15 | 13 | 4.8 | 25 | 13 | 15 | 13 | 195 | 1.6 |
| 4.5 | 45 | 15 | 13 | 7.2 | 37 | 17.5 | 20 | 17.5 | 195 | 1.6 |
| 6 | 60 | 21 | 20 | 9.6 | 50 | 22.6 | 26 | 22.6 | 245 | 2.2 |
| 8.4 | 75 | 27 | 24 | 14.4 | 75 | 32.5 | 38 | 32.5 | 285 | 2.5 |
| 10.5 | 75 | 27 | 24 | 16.8 | 87 | 38 | 44 | 38 | 285 | 2.5 |
| 12 | 85 | 31 | 27 | 19.2 | 100 | 43 | 50 | 43 | 325 | 3.5 |
| 15 | 95 | 35 | 30 | 24 | 125 | 54 | 62 | 54 | 375 | 4.7 |
| 18 | 125 | 42 | 36 | 28.8 | 150 | 65 | 75 | 65 | 425 | 5.2 |
| 21 | 125 | 42 | 36 | 33.6 | 175 | 76 | 88 | 76 | 475 | 5.8 |
| 24 | 150 | 70 | 60 | 38.4 | 200 | 87 | 100 | 87 | 560 | 7.2 |
| 27 | 150 | 70 | 60 | 43.2 | 225 | 97 | 112 | 97 | 610 | 7.8 |
| 30 | 150 | 70 | 60 | 48 | 250 | 108 | 125 | 108 | 660 | 8.8 |
| 33 | 200 | 95 | 80 | 52.8 | 275 | 119 | 137 | 119 | 720 | 9.4 |

Mounting bracket for distribution type arrester



Mounting bracket A-Type

| Type | T | Use |
|------|-----|----------------------------|
| A | 3.2 | NVD-3, 4.5, 6, 9, 10.5 |
| B | 4.5 | NVD-3, 4.5, 6, 9, 10.5, 12 |
| B | 6 | NVD-15, 18, 21 |
| B | 9 | NVD-24, 27, 30, 33 |



Mounting bracket B-Type